

LICENSING OPPORTUNITIES

The **Not-A-Bottle™** container system has protection under:

US Patent 6,651,845

US Trademark App. 78329475

We are now licensing the **Not-A-Bottle™** container system technology for use with all types of flowable materials.

Exclusive, global licenses are currently available for specific application categories.

For more info, see our website:

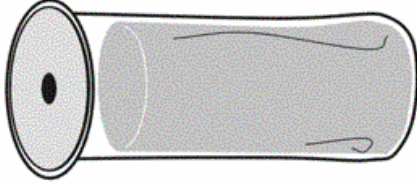
www.RockyBusiness.com

Please contact:

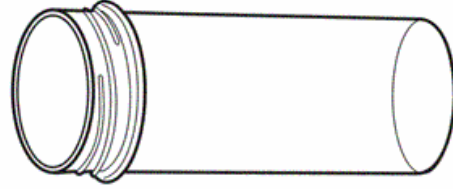
Charles W. Schroeder
Inventor and Manager
Rocky Mountain Patents, LLC

COMPONENTS

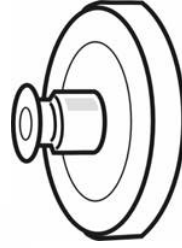
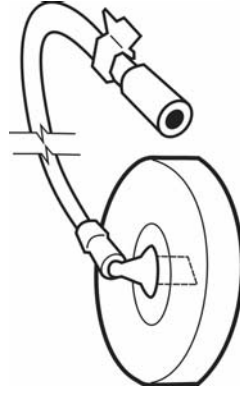
BAG



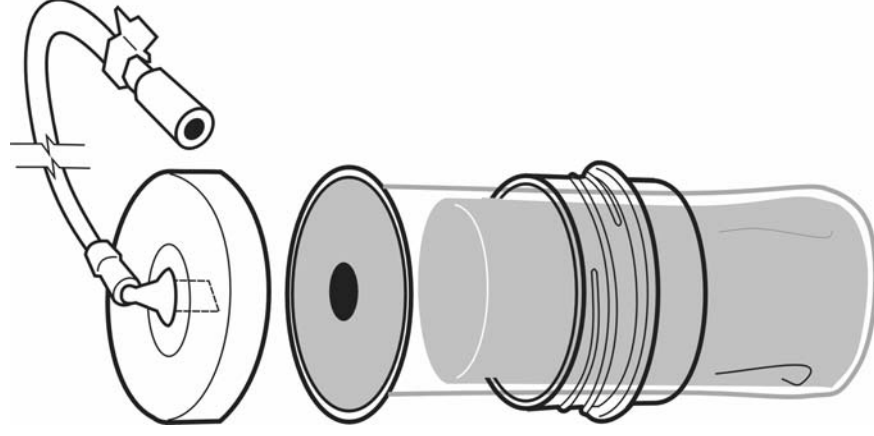
CONTAINER



CAP OPTIONS INCLUDE:



REVOLUTIONIZING
PERSONAL
HYDRATION



NOT-A-BOTTLE™
AN ENVIRONMENTALLY
SUPERIOR PACKAGE

ROCKY MOUNTAIN PATENTS, LLC

259 Solomon Drive
Estes Park, CO 80517-7255

www.RockyBusiness.com
CWS@RockyBusiness.com
970-577-9917

NOT-A-BOTTLE™
CONTAINER SYSTEM
AN ENVIRONMENTALLY SUPERIOR PACKAGE

Description

The Not-A-Bottle™ container system consists of:

- **Lightweight, flexible plastic bags:**
 - Contain flowable material
 - Have a lip (much like a baby bottle liner)
 - Have pierce-able top or pull tab for opening
- **Separate dispensing container** to hold the flexible bags
- **Instant Refill** by replacing the beverage bag
- **Cap** for the container:
 - Captures bag lip between the container and cap
 - For Beverages, has drinking tube or pop-up top

Applications

Potential applications include:

- **Sports enthusiasts:**
 - Hikers and Backpackers
 - Cyclists
 - Any outdoor sports
- **Military:**
 - Allows troop refills without standing in line for access to tap
 - Ease of refill (as when flying)
 - Hot work applications (i.e. engine rooms)
 - Improved sanitation
- **Industry:** Any hot job
- **Commuters:** Ease of use
- **Hospitals and Nursing Homes**

The container allows Instant Refill by simply replacing the beverage bag

Commercial

Benefits

- **Massive new Aftermarket:**
 - Prepackaged sports drinks, nutritionals, water, etc
 - Same distribution chain for container system and beverage bags
 - Instant Refill
- **Eliminates container sanitation concerns**
- **Environmentally superior to bottled alternatives:**
 - Less plastic than bottles
 - Minimal landfill if not recycled
 - Dispensers can be re-used time and again

259 Solomon Drive
Estes Park, CO 80517-7255

ROCKY MOUNTAIN PATENTS, LLC

www.RockyBusiness.com
CWS@RockyBusiness.com
970-577-9917